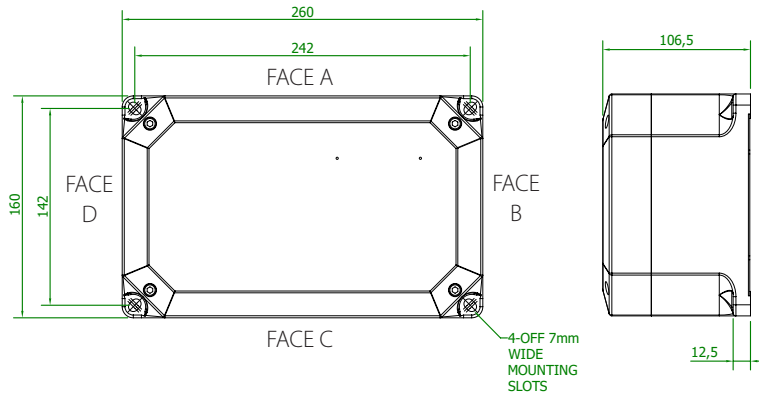




# PL626

Increased Safety Exe Dual Certified ATEX/ IECEx



International Approvals



Offering the ultimate in robust GRP construction, the globally certified PL626 is ideal for use in Zones 1 and 21. The PL626 enclosure offers easy installation, superior corrosion resistance, wide operating temperature range and excellent Ingress Protection.

Terminal Capacity									
Terminal Type	Conductor Size (mm <sup>2</sup> )		Max Volts	Rail Orientation	Max. Physical Terminal Content			Reduced Terminal Content at Max Amps	
	Min.	Max.			Terminal Qty	Rail Qty	Amps	Terminal Qty	Amps
WDU 2.5	0.5	2.5	690	H	38	1	11	15	17
UT 2.5	0.14	2.5	690	H	41		10	20	15
WDU 4	0.5	4	690	H	32		15	14	22
UT 4	0.14	4	690	H	34		14	18	20
WDU 6	0.5	6	690	H	24		21	12	29
UT6	0.2	6	690	H	25		20	13	28
WDU 10	1.5	10	690	H	19		30	10	40
UT 10	0.5	10	690	H	20		29	11	39
WDU 16	1.5	16	690	H	16		38	8	53
UT 16	1.5	16	690	H	17		37	8	53
WDU 35	2.5	35	690	H	12		57	6	80
UT 35	1.5	35	690	H	12		68	11	70

\* Max terminals are split across the quantity of terminal rails

## FEATURES

- The Ultimate in Robust GRP Construction
- High degree of resistance to corrosive atmospheres
- Corrosion Resistant Stainless Steel Lid Fixing Screws with Nylon Retaining Washers prevents loss of screws during assembly and maintenance
- Insulation resistance less than 1GΩ
- Anti-Static Properties Removes the risk of ignition sources through static induced sparking resistivity
- External Mounting feet for easy installation

Technical Data	
Ingress Protection	IP66 IP67 to IEC/EN 60529
Deluge Protection	DTS01
Material	Glass Reinforced Plastic (GRP) Natural Black Finish
Service Temperature	-60°C to +75°C
Temperature Class and Ambient	T6 40°C as standard Optional T5 with ambients up to 65°C For additional options see technical data
ATEX/IECEX	
ATEX/IECEX Protection Class	Ex II 2 GD Ex eb IIC Gb; Ex tb IIIC Db
ATEX Certificate No	Baseefa06ATEX0117X (PL626) Baseefa06ATEX0116U (ZPL626)
IECEX Certificate Number	IECEX BAS 06.0028X (PL626) IECEX BAS 06.0027U (ZPL626)
UKEX Certificate Number	BAS21UKEX0047X (PL626) BAS21UKEX0046U (ZPL626)
Construction & Test Standards	IEC/EN 60079-0, IEC/EN 60079-7 and IEC/EN 60079-31
Marine Approvals	ABS: 17-LD1653735-PDA DNV: TAE00003RY Bureau Veritas: 43523/A1
Additional Certifications	EAC: RU C-GB.HA91.B.00260/21 Inmetro: IEx 16.0143X PESO: P457339
CSA	
NEC Protection Class	Class I, Zone 1, AEx e IIC Gb Zone 21, AEx tb IIIC T80°C Db
CEC Protection Class	Ex e IIC Gb Ex tb IIIC T80°C Db
c CSA us Certificate	70039997
Construction & Test Standards	UL 50E, UL508, UL12.12.01, UL/CSA-C22.2 60079-0, UL/CSA-C22.2 60079-7, UL/CSA-C22.2 60079-31, CSA-C22.2 No. 94-M91, CSA-C22.2 No. 14-M91
UL	
NEC Protection Class	Class I, Zone 1, AEx eb IIC Gb
CEC Protection Class	Ex eb IIC Gb
UL Certificate No	E181955
Construction & Test Standards	UL 50E, UL508, UL/CSA-C22.2 60079-0, UL/CSA-C22.2 60079-7, CSA-C22.2 No. 94.1-15, CSA-C22.2 No. 14.2-15

Maximum Quantity of Entries Per Face								
Thread Size	M16/M20	M20/A	M25	M32	M40	M50	M63	M75
Face B/D	3	3	2	1	-	-	-	-
Face A/C	9	7	4	3	-	-	-	-

CAUTION: Entry quantities are calculated based on standard gland diameters. Entry quantity may be affected if using accessories (locknuts, washers etc) with large diameters.

## Simplify your Engineering Projects with BoxHUBB



**BoxHubb** is Hawke's fast, free and simple solution for configuring enclosures online. Use **BoxHubb** for a fast, accurate, and globally accessible way to making your Enclosure design process faster than ever before. Go to [www.ehawke.com/designhubb](http://www.ehawke.com/designhubb)

